



**Installation:** hazardous areas - Zone 1 / 2 (Gases) - Zone 21 / 22 (Dusts)  
**Classification:** Group II - Category 2G 2D

# EJB



GOST-R  
RTR Ex Proof



TERMINAL BOARD				
Modular terminal strip / power distribution bars				
	ATEX 94/9/EC	IEC Ex	GOST-R (RTR / RTN)	GOST-K
EXECUTION	⊕ II 2 G Ex d IIB+H2 T6 ⊕ II 2 G Ex d [Ia/ib] IIB+H2 T6 ⊕ II 2 D Ex tD A21 T85°C	II 2 G Ex d IIB+H2 T6 II 2 G Ex d [Ia/ib] IIB+H2 T6 II 2 D Ex tD A21 T85°C	1 Ex d IIB+H2 T6 1 Ex d [Ia/ib] IIB+H2 T6 A21 Ta85°C	1 Ex d IIB+H2 T6 1 Ex d [Ia/ib] IIB+H2 T6 A21 Ta85°C
AMBIENT TEMPERATURE	-60°C ÷ +130°C	-60°C ÷ +130°C	-60°C ÷ +130°C	-60°C ÷ +130°C
PROTECTION DEGREE	IP66	IP66	IP66	IP66
CERTIFICATE REF.	BKI 08 ATEX 019	IECEx BKI 09.0005	POCC IT. Г505.В02537	No. 07/43-269
RULES OF COMPLIANCE	EN 60079-0; EN 60079-1; EN 60079-11; EN 61241-0; EN 61241-1	EN 60079-0; EN 60079-1; EN 60079-11; EN 61241-0; EN 61241-1	ГОСТ P 51330.9-99 (МЭК 60079-10-95) ГОСТ P 51330.13-99 (МЭК 60079-14-96) ГОСТ P МЭК 61241-3-99	ГОСТ P 51330.0 / 1 / 8 / 14-99 ГОСТ P МЭК 61241-1-1-2002

POWER UNITS				
Current and voltage transformers / power supplies / rectifiers				
	ATEX 94/9/EC	IEC Ex	GOST-R (RTR / RTN)	GOST-K
EXECUTION	⊕ II 2 G Ex d IIB+H2 T6...T3 ⊕ II 2 D Ex tD A21 T85°C...150°C	II 2 G Ex d IIB+H2 T6...T3 II 2 D Ex tD A21 T85°C...150°C	1 Ex d IIB+H2 T6...T3 A21 Ta85°C...150°C	1 Ex d IIB+H2 T6...T3 A21 Ta85°C...150°C
AMBIENT TEMPERATURE	-60°C ÷ +130°C	-60°C ÷ +130°C	-60°C ÷ +130°C	-60°C ÷ +130°C
PROTECTION DEGREE	IP66	IP66	IP66	IP66
CERTIFICATE REF.	BKI 08 ATEX 019	IECEx BKI 09.0005	POCC IT. Г505.В02537	No. 07/43-269
RULES OF COMPLIANCE	EN 60079-0; EN 60079-1; EN 60079-11; EN 61241-0; EN 61241-1	EN 60079-0; EN 60079-1; EN 60079-11; EN 61241-0; EN 61241-1	ГОСТ P 51330.9-99 (МЭК 60079-10-95) ГОСТ P 51330.13-99 (МЭК 60079-14-96) ГОСТ P МЭК 61241-3-99	ГОСТ P 51330.0 / 1 / 8 / 14-99 ГОСТ P МЭК 61241-1-1-2002

CONTROL AND SIGNALLING UNITS				
Lighting, power and receptacles distribution panelboards / switchracks / DOL and DY motor starters / control and signalling panelboards				
	ATEX 94/9/EC	IEC Ex	GOST-R (RTR / RTN)	GOST-K
EXECUTION	⊕ II 2 G Ex d IIB+H2 T6...T3 ⊕ II 2 (1) G Ex d [Ia] IIB+H2 T6...T3 ⊕ II 2 (2) G Ex d [Ib] IIB+H2 T6...T3 ⊕ II 2 D Ex tD A21 T85°C...150°C	II 2 G Ex d IIB+H2 T6...T3 II 2 (1) G Ex d [Ia] IIB+H2 T6...T3 II 2 (2) G Ex d [Ib] IIB+H2 T6...T3 II 2 D Ex tD A21 T85°C...150°C	1 Ex d IIB+H2 T6...T3 1 Ex d [Ia] IIB+H2 T6...T3 1 Ex d [Ib] IIB+H2 T6...T3 A21 Ta85°C...150°C	1 Ex d IIB+H2 T6...T3 1 Ex d [Ia] IIB+H2 T6...T3 1 Ex d [Ib] IIB+H2 T6...T3 A21 Ta85°C...150°C
AMBIENT TEMPERATURE	-60°C ÷ +130°C	-60°C ÷ +130°C	-60°C ÷ +130°C	-60°C ÷ +130°C
PROTECTION DEGREE	IP66	IP66	IP66	IP66
CERTIFICATE REF.	BKI 08 ATEX 019	IECEx BKI 09.0005	POCC IT. Г505.В02537	No. 07/43-269
RULES OF COMPLIANCE	EN 60079-0; EN 60079-1; EN 60079-11; EN 61241-0; EN 61241-1	EN 60079-0; EN 60079-1; EN 60079-11; EN 61241-0; EN 61241-1	ГОСТ P 51330.9-99 (МЭК 60079-10-95) ГОСТ P 51330.13-99 (МЭК 60079-14-96) ГОСТ P МЭК 61241-3-99	ГОСТ P 51330.0 / 1 / 8 / 14-99 ГОСТ P МЭК 61241-1-1-2002

## Mechanical characteristics

Body/cover	marine grade copper free aluminium light alloy
Screws	stainless steel
Internal mounting plate	hot dip galvanized steel / aluminum
Fixing	fixing lugs AL UNI EN 1706:1999 - galvanized steel stirrups sp. 10mm (EJB71 AND EJB91 ONLY)
Hinges	On the long side - cast on enclosure body and cover

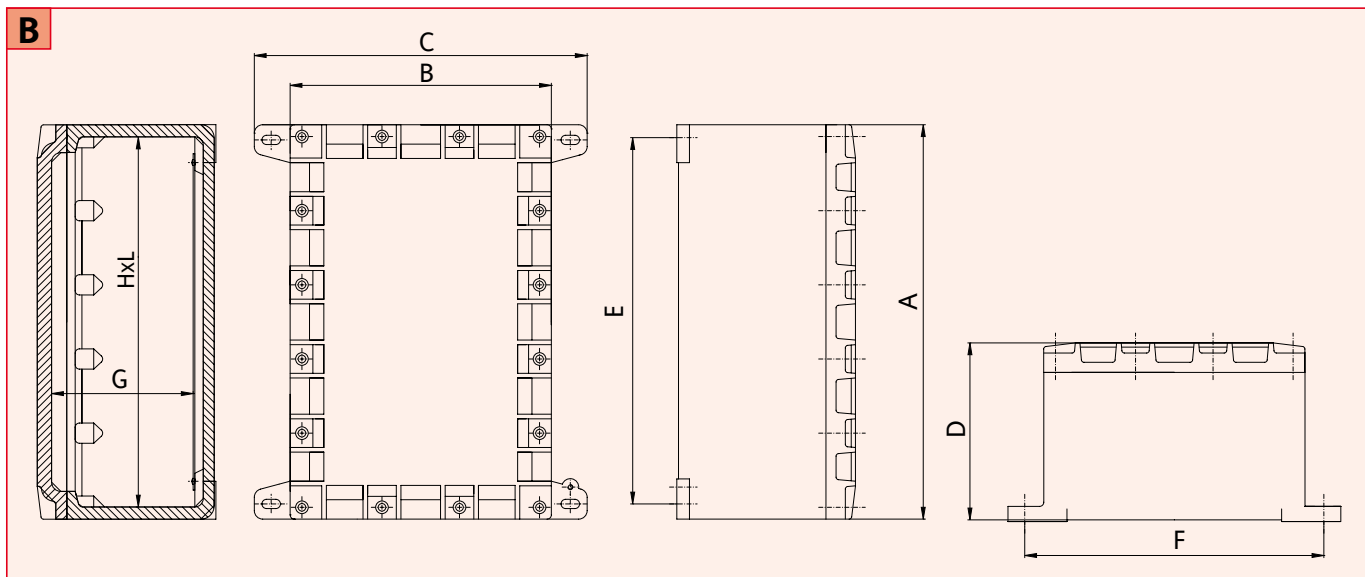
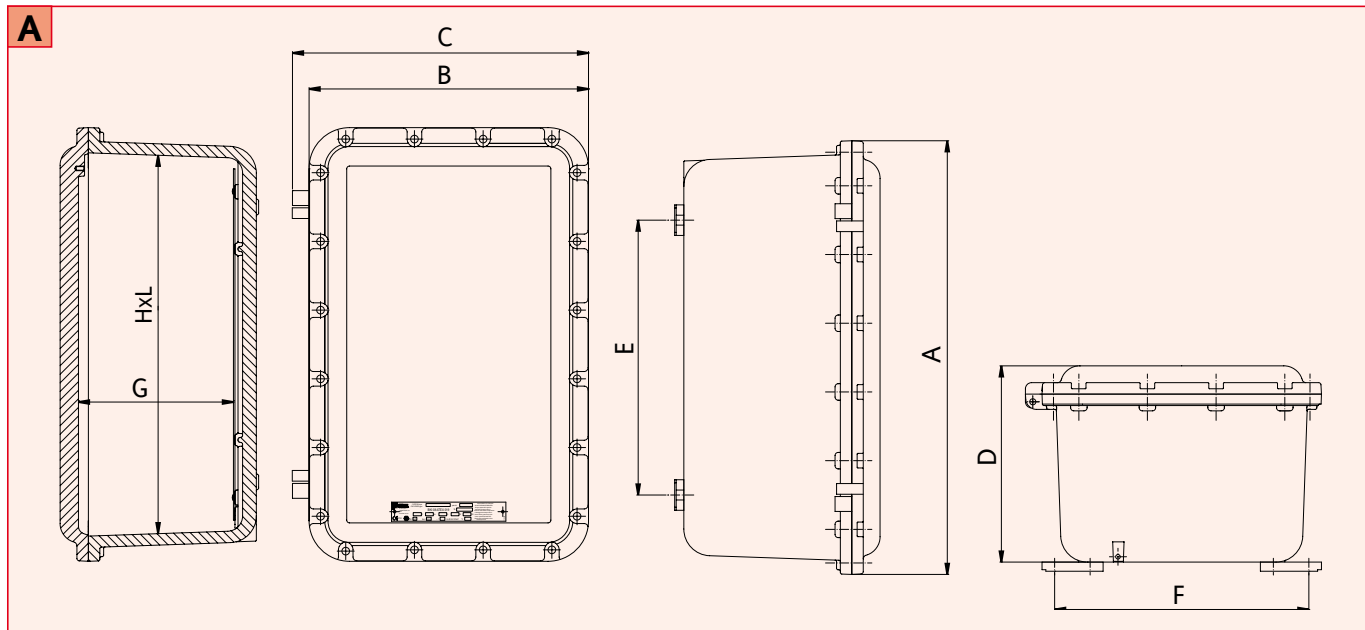
### ON REQUEST ACCESSORIES:

- External epoxy painting with colour on request
- O-Ring gaskets on cover
- Drain and breather valves
- Internal anticondensate painting orange RAL-2004
- Glass windows on cover

# EJB Technical features

CODE	A [mm]	B [mm]	C [mm]	D [mm]	E [mm]	F [mm]	G [mm]	H [mm]	L [mm]	INT. PLATE X - Y [mm]	WEIGHT [Kg]	DETAIL
EJB-11	175	175	-	125	78	165	90	115	115	95 - 95	3,60	A
EJB-21	285	245	267	169	160	276	122	217	175	180 - 140	10,50	A
EJB-22	300	200	222	177	195	221	130	240	140	235 - 135	12,50	A
EJB-30	415	315	340	168	280	306	120	340	245	325 - 225	18,50	A
EJB-31	415	315	340	250	280	306	200	340	245	325 - 225	20,50	A
EJB-51	568	365	388	257	360	376	203	495	295	460 - 260	36,50	A
EJB-61	670	470	490	360	500	470	310	595	395	560 - 360	57,00	A
EJB-63	670	470	490	235	500	470	184	595	395	560 - 360	47,00	A
EJB-71	742	542	572	425	500	456	360	645	445	590 - 390	110,00	A
EJB-91	960	660	700	460	700	526	370	830	530	758 - 448	202,00	A
EJB-2	365	255	340	193	325	300	152	327	218	300 - 190	17,00	B
EJB-3	468	310	395	210	432	355	168	440	282	400 - 240	23,00	B
EJB-4	492	380	470	270	450	430	217	458	346	410 - 300	33,00	B
EJB-6	610	415	510	327	560	455	260	564	184	525 - 325	65,00	B

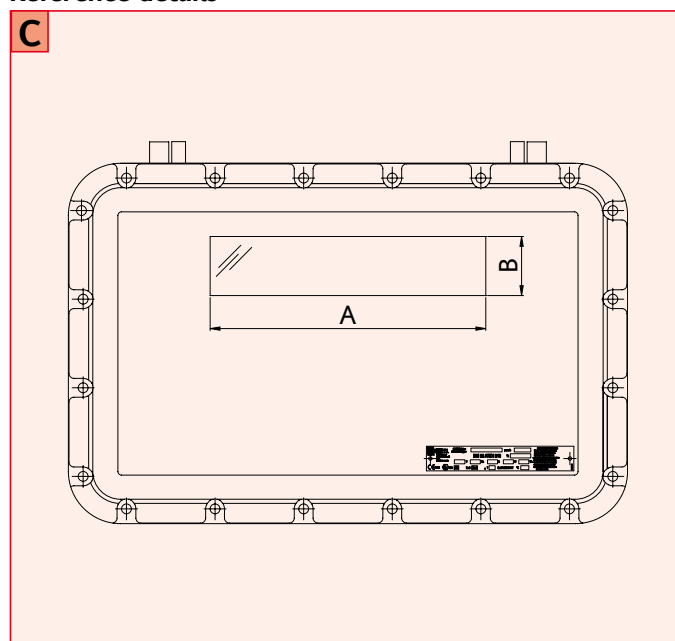
## Reference details



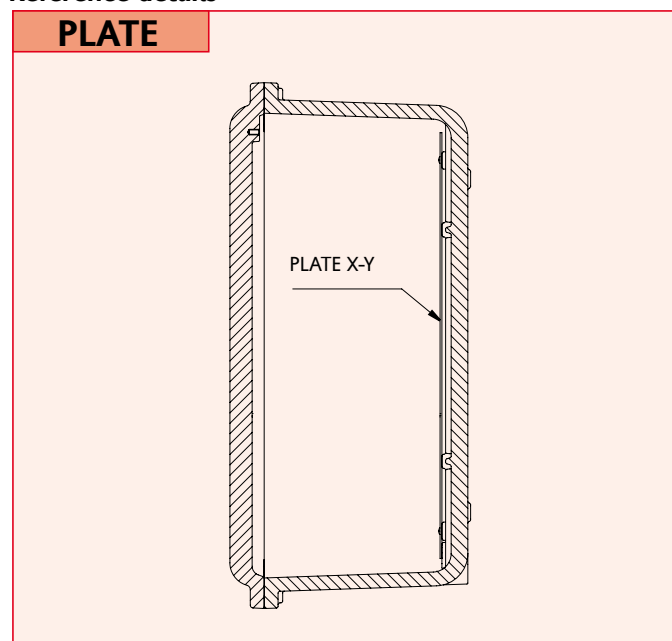
## EJB Glass Windows on Cover

WINDOW CODE	ENCLOSURE CODE								DIMENSIONS		DETAIL
	EJB-11	EJB-21	EJB-22	EJB-30/31	EJB-51	EJB-61/63	EJB-71	EJB-91	A [mm]	B [mm]	
F1	X	X	X	X	X	X	X	X	60	60	C
F2	X	X	-	X	X	X	X	X	75	75	C
F3	-	X	X	X	X	X	X	X	110	75	C
F4	-	X	-	X	X	X	-	-	150	75	C
F5	-	-	-	X	X	X	-	-	150	150	C
F6	-	-	-	X	X	X	-	-	300	75	C
F7	-	-	-	X	X	X	-	-	300	150	C
F8	-	-	-	-	-	X	-	-	300	300	C
F9	-	-	-	-	-	X	-	-	450	300	C

Reference details



Reference details



## EJB Indicative quantity of terminals and relevant section

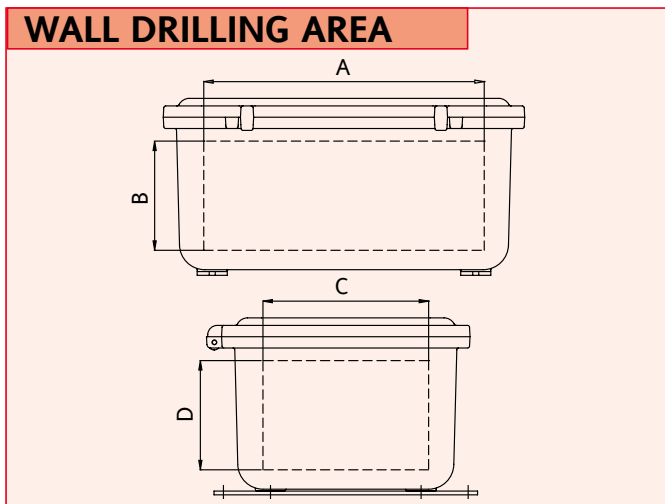
CODE	SECT. 2,5 [mm/sq]	SECT. 6,0 [mm/sq]	SECT. 10,0 [mm/sq]	SECT. 16,0 [mm/sq]	SECT. 35,0 [mm/sq]	SECT. 50,0 [mm/sq]	SECT. 70,0 [mm/sq]	SECT. 240,0 [mm/sq]	INT. PLATE X - Y [mm]
EJB-11	12 x 1	8 x 1	6 x 1	4 x 1	2 x 1	-	-	-	95 - 95
EJB-21	30 x 1	20 x 1	14 x 1	12 x 1	8 x 1	6 x 1	2 x 1	1 x 1	180 - 140
EJB-22	44 x 1	30 x 1	20 x 1	18 x 1	12 x 1	10 x 1	4 x 1	2 x 1	235 - 135
EJB-30	52 x 2	32 x 2	24 x 2	20 x 2	14 x 2	12 x 1	8 x 1	4 x 1	325 - 225
EJB-31	52 x 2	32 x 2	24 x 2	20 x 2	14 x 2	12 x 1	8 x 1	4 x 1	325 - 225
EJB-51	80 x 2	46 x 2	36 x 2	30 x 2	22 x 2	18 x 2	16 x 1	6 x 1	460 - 260
EJB-61	92 x 3	58 x 3	46 x 3	38 x 3	28 x 3	26 x 2	22 x 2	12 x 1	560 - 360
EJB-63	92 x 3	58 x 3	46 x 3	38 x 3	28 x 3	26 x 2	22 x 2	12 x 1	560 - 360
EJB-71	110 x 3	70 x 3	56 x 3	46 x 3	34 x 3	28 x 2	24 x 2	12 x 1	590 - 390
EJB-91	140 x 3	90 x 3	70 x 3	60 x 3	44 x 3	36 x 3	32 x 2	14 x 2	758 - 448
EJB-2	54 x 1	34 x 1	26 x 1	22 x 1	16 x 1	12 x 1	6 x 1	2 x 1	300 - 190
EJB-3	70 x 2	46 x 2	36 x 2	30 x 2	22 x 2	18 x 1	10 x 1	4 x 1	400 - 240
EJB-4	70 x 2	40 x 2	32 x 2	26 x 2	20 x 2	14 x 2	10 x 1	4 x 1	410 - 300
EJB-6	80 x 3	50 x 3	36 x 3	28 x 3	18 x 3	16 x 2	12 x 2	6 x 1	525 - 325

# EJB Body and Cover Enclosures Drilling Layout

EJB

ENCLOSURE CODE	DRILLING AREA A-B [mm]	QUANTITY ALLOWED ENTRIES FOR SIZE (from 1 to size 8)								DRILLING AREA C-D [mm]	QUANTITY ALLOWED ENTRIES FOR SIZE (from 1 to size 8)							
		1	2	3	4	5	6	7	8		1	2	3	4	5	6	7	8
EJB-11	125x60	4	2	2	1	1	-	-	-	125x60	4	2	2	1	1	-	-	-
EJB-21	200x90	10	7	5	3	2	2	1	-	160x90	8	5	4	3	2	1	1	-
EJB-22	215x130	15	11	8	6	6	3	2	1	110x130	9	5	5	4	2	1	1	1
EJB-30	320x65	13	7	5	5	4	3	-	-	225x65	9	5	4	3	3	2	-	-
EJB-31	320x150	28	18	14	11	8	6	3	2	225x150	20	12	9	8	6	5	2	1
EJB-51	460x155	44	27	24	20	12	10	6	3	255x155	24	15	12	11	6	6	3	2
EJB-61	550x250	72	50	36	32	21	21	14	8	350x250	48	30	24	20	12	12	8	6
EJB-63	550x130	36	29	18	16	14	7	5	4	350x130	24	17	12	10	8	4	3	3
EJB-71	600x270	78	55	50	36	32	21	18	10	400x270	48	35	35	24	20	15	12	6
EJB-91	745x290	112	84	65	55	40	28	23	14	440x290	70	42	35	35	24	18	13	8
EJB-2	310x105	17	12	10	9	5	4	3	2	200x105	12	6	6	5	3	2	1	1
EJB-3	425x115	30	17	14	12	9	5	4	3	250x115	11	8	6	5	3	2	2	1
EJB-4	410x175	36	20	17	15	11	7	5	3	306x175	24	16	12	12	9	6	4	3
EJB-6	520x220	55	36	24	21	17	12	9	5	330x220	35	20	15	12	9	8	5	3

**Reference details**

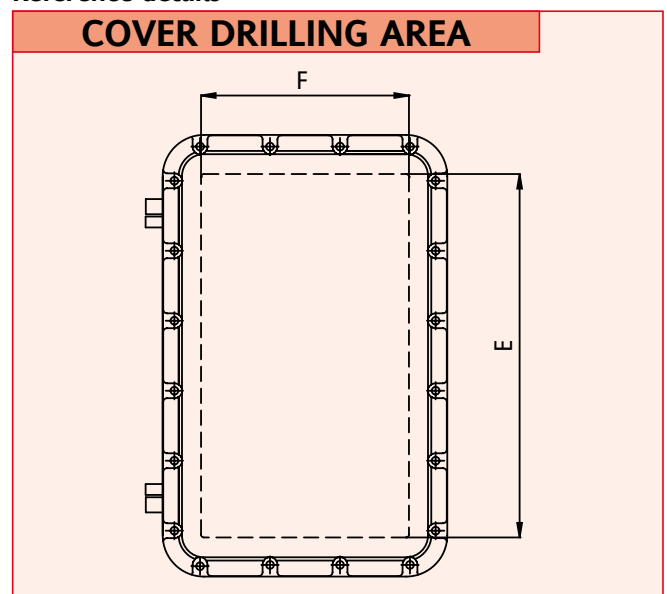


**EJB Threads comparison table**

SIZE	UNI 6125	ISO 228/1	ASA B2.1	ISO 965/1
1	GK 1/2"	G 1/2"	1/2" NPT	M20
2	GK 3/4"	G 3/4"	3/4" NPT	M25
3	GK 1"	G 1"	1" NPT	M32
4	GK 1-1/4"	G 1-1/4"	1-1/4" NPT	M40
5	GK 1-1/2"	G 1-1/2"	1-1/2" NPT	M50
6	GK 2"	G 2"	2" NPT	M63
7	GK 2-1/2"	G 2-1/2"	2-1/2" NPT	M75
8	GK 3"	G 3"	3" NPT	M85

ENCLOSURE CODE	DRILLING AREA E-F [mm]	MAX OPERATORS PERMITTED
EJB-11	120x120	6
EJB-21	200x155	12
EJB-22	240x120	15
EJB-30	305x205	30
EJB-31	305x205	30
EJB-51	465x265	54
EJB-61	575x370	56
EJB-63	575x370	56
EJB-71	590x390	48
EJB-91	800x500	54
EJB-2	290x180	24
EJB-3	380x220	40
EJB-4	390x280	47
EJB-6	500x310	55

**Reference details**



**REMARK:** Due to the development of the national and international specifications and of the technology, the above technical characteristics showed on this bulletin can be considered as binding on our confirmation only.