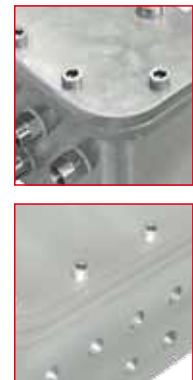




Installation: hazardous areas - Zone 1 / 2 (Gases) - Zone 21 / 22 (Dusts)
Classification: Group II - Category 2G 2D

EJB INX



GOST-R
RTR Ex Proof



	TERMINAL BOARD Modular terminal strip / power distribution bars			
	ATEX 94/9/EC	IEC Ex	GOST-R (RTR / RTN)	GOST-K
EXECUTION	⊕ II 2 G Ex db IIB+H2 T6...T3 ⊕ II 2 G Ex db [Ia/IIb] IIB+H2 T6...T3 ⊕ II 2 D Ex tb IIIC T85°C...T150°C	Ex db IIB+H2 T6...T3 Ex db [Ia/IIb] IIB+H2 T6...T3 Ex tb IIIC T85°C...T150°C	1 Ex d IIB+H2 T6 1 Ex d [Ia/IIb] IIB+H2 T6 A21 Ta85°C	1 Ex d IIB+H2 T6 1 Ex d [Ia/IIb] IIB+H2 T6 A21 Ta85°C
AMBIENT TEMPERATURE	-60°C ÷ +130°C	-60°C ÷ +130°C	-60°C ÷ +130°C	-60°C ÷ +130°C
PROTECTION DEGREE	IP66	IP66	IP66	IP66
CERTIFICATE REF.	BKI 08 ATEX 0019	IECEX BKI 09.0005	POCC IT. ГБ05.В02537	No. 07/43-269
RULES OF COMPLIANCE	EN 60079-0:2009; EN 60079-1:2007; EN 60079-11:2007; EN 60079-31:2009	IEC 60079-0:2007; IEC 60079-1:2007; IEC 60079-11:2006; IEC 60079-31:2008	ГОСТ Р 51330.9-99 (МЭК 60079-0-98); ГОСТ Р 51330.1-99 (МЭК 60079-1-98); ГОСТ Р 51330.8-99; ГОСТ Р 51330.10-99 (МЭК 60079-11-99); ГОСТ Р МЭК 61241-1-1-99	ГОСТ Р 51330.0 / 1 / 8 / 14-99 ГОСТ Р МЭК 61241-1-1-2002

	POWER UNITS Current and voltage transformers / power supplies / rectifiers			
	ATEX 94/9/EC	IEC Ex	GOST-R (RTR / RTN)	GOST-K
EXECUTION	⊕ II 2 G Ex d IIB+H2 T6...T3 ⊕ II 2 D Ex tD A21 T85°C...150°C	II 2 G Ex d IIB+H2 T6...T3 II 2 D Ex tD A21 T85°C...150°C	1 Ex d IIB+H2 T6...T3 A21 Ta85°C...150°C	1 Ex d IIB+H2 T6...T3 A21 Ta85°C...150°C
AMBIENT TEMPERATURE	-60°C ÷ +130°C	-60°C ÷ +130°C	-60°C ÷ +130°C	-60°C ÷ +130°C
PROTECTION DEGREE	IP66	IP66	IP66	IP66
CERTIFICATE REF.	BKI 08 ATEX 0019	IECEX BKI 09.0005	POCC IT. ГБ05.В02537	No. 07/43-269
RULES OF COMPLIANCE	EN 60079-0:2009; EN 60079-1:2007; EN 60079-11:2007; EN 60079-31:2009	IEC 60079-0:2007; IEC 60079-1:2007; IEC 60079-11:2006; IEC 60079-31:2008	ГОСТ Р 51330.9-99 (МЭК 60079-0-98); ГОСТ Р 51330.1-99 (МЭК 60079-1-98); ГОСТ Р 51330.8-99; ГОСТ Р 51330.10-99 (МЭК 60079-11-99); ГОСТ Р МЭК 61241-1-1-99	ГОСТ Р 51330.0 / 1 / 8 / 14-99 ГОСТ Р МЭК 61241-1-1-2002

	CONTROL AND SIGNALLING UNITS Lighting, power and receptacles distribution panelboards / switchracks / DOL and DY motor starters / control and signalling panelboards			
	ATEX 94/9/EC	IEC Ex	GOST-R (RTR / RTN)	GOST-K
EXECUTION	⊕ II 2 G Ex d IIB+H2 T6...T3 ⊕ II 2 (1) G Ex d [Ia] IIB+H2 T6...T3 ⊕ II 2 (2) G Ex d [Ib] IIB+H2 T6...T3 ⊕ II 2 D Ex tD A21 T85°C...150°C	II 2 G Ex d IIB+H2 T6...T3 II 2 (1) G Ex d [Ia] IIB+H2 T6...T3 II 2 (2) G Ex d [Ib] IIB+H2 T6...T3 II 2 D Ex tD A21 T85°C...150°C	1 Ex d IIB+H2 T6...T3 1 Ex d [Ia] IIB+H2 T6...T3 1 Ex d [Ib] IIB+H2 T6...T3 A21 Ta85°C...150°C	1 Ex d IIB+H2 T6...T3 1 Ex d [Ia] IIB+H2 T6...T3 1 Ex d [Ib] IIB+H2 T6...T3 A21 Ta85°C...150°C
AMBIENT TEMPERATURE	-60°C ÷ +130°C	-60°C ÷ +130°C	-60°C ÷ +130°C	-60°C ÷ +130°C
PROTECTION DEGREE	IP66	IP66	IP66	IP66
CERTIFICATE REF.	BKI 08 ATEX 0019	IECEX BKI 09.0005	POCC IT. ГБ05.В02537	No. 07/43-269
RULES OF COMPLIANCE	EN 60079-0:2009; EN 60079-1:2007; EN 60079-11:2007; EN 60079-31:2009	IEC 60079-0:2007; IEC 60079-1:2007; IEC 60079-11:2006; IEC 60079-31:2008	ГОСТ Р 51330.9-99 (МЭК 60079-0-98); ГОСТ Р 51330.1-99 (МЭК 60079-1-98); ГОСТ Р 51330.8-99; ГОСТ Р 51330.10-99 (МЭК 60079-11-99); ГОСТ Р МЭК 61241-1-1-99	ГОСТ Р 51330.0 / 1 / 8 / 14-99 ГОСТ Р МЭК 61241-1-1-2002

Mechanical characteristics

Body & cover	stainless steel AISI-316 L
Screws	stainless steel AISI-316 L
Internal mounting plate	stainless steel AISI-316 L / aluminum
Fixing	fixing lugs stainless steel AISI-316 L - stainless steel stirrups sp.10mm (EJB71 AND EJB91 ONLY)
Hinges	applied
Opening handle	insulating material fixed on cover by stainless steel screws

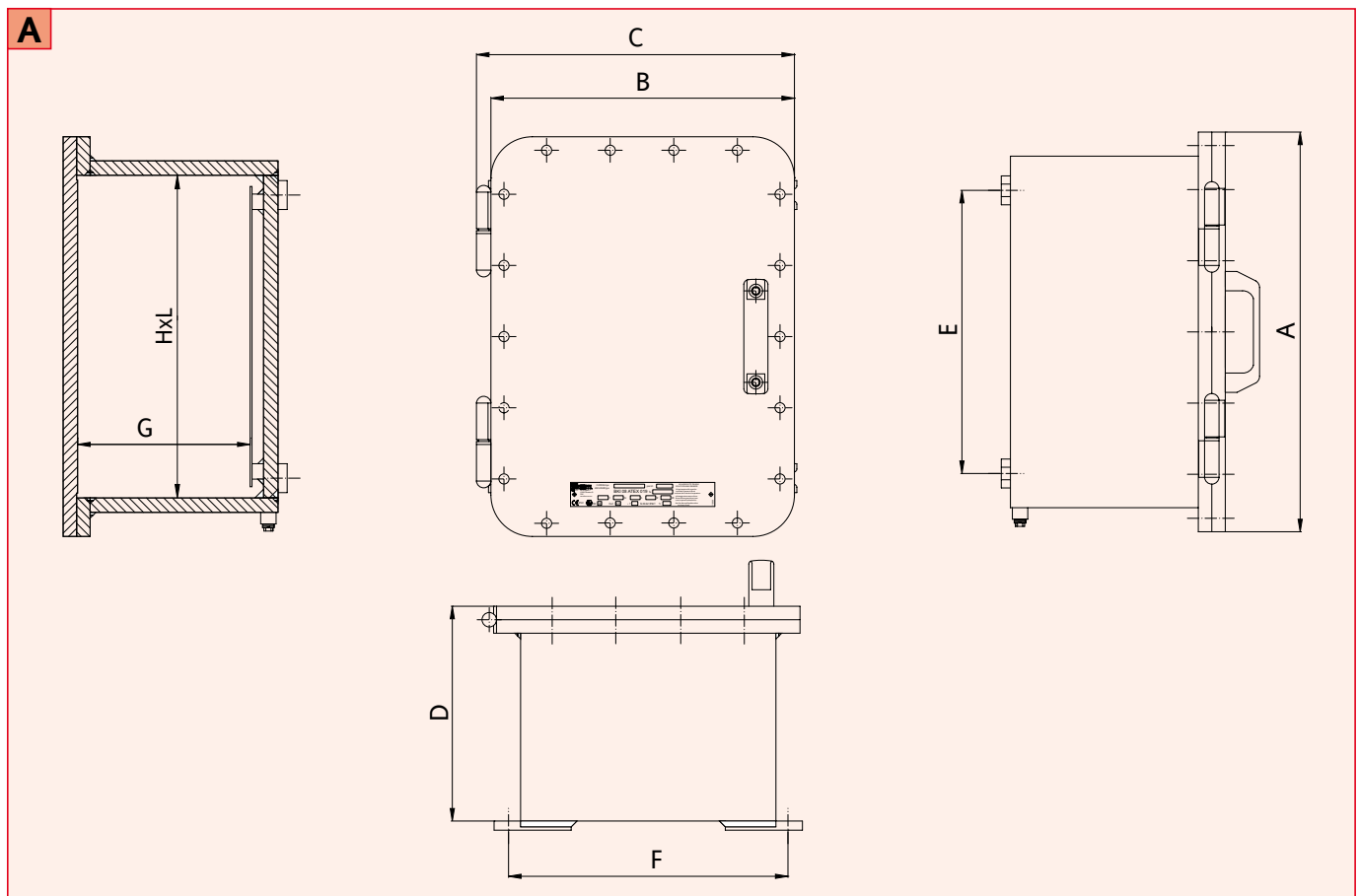
ON REQUEST ACCESSORIES:

- External epoxy painting (any colours)
- Internal anticondensate painting orange RAL-2004
- O-Ring gaskets on cover
- Glass windows on cover

EJB INX Technical features

CODE	A [mm]	B [mm]	C [mm]	D [mm]	E [mm]	F [mm]	G [mm]	H [mm]	L [mm]	INT. PLATE X - Y [mm]	WEIGHT [Kg]	DETAIL
EJB-21 INX	285	245	260	194	160	230	122	215	175	180 - 140	32,00	A
EJB-22 INX	300	200	215	218	195	188	177	230	130	235 - 135	38,00	A
EJB-30 INX	415	315	330	158	294	290	117	335	235	325 - 225	53,00	A
EJB-31 INX	415	315	330	243	294	290	200	335	235	325 - 225	62,00	A
EJB-51 INX	565	365	400	253	360	335	210	480	280	460 - 260	110,00	A
EJB-61 INX	670	470	485	344	500	437	290	590	390	560 - 360	152,00	A
EJB63 INX	670	470	485	229	500	437	180	590	390	560 - 360	140,00	A
EJB-71 INX	742	542	557	400	500	456	360	645	445	590 - 390	280,00	A
EJB-91 INX	960	660	678	431	600	640	364	843	543	758 - 448	483,00	A

Reference details



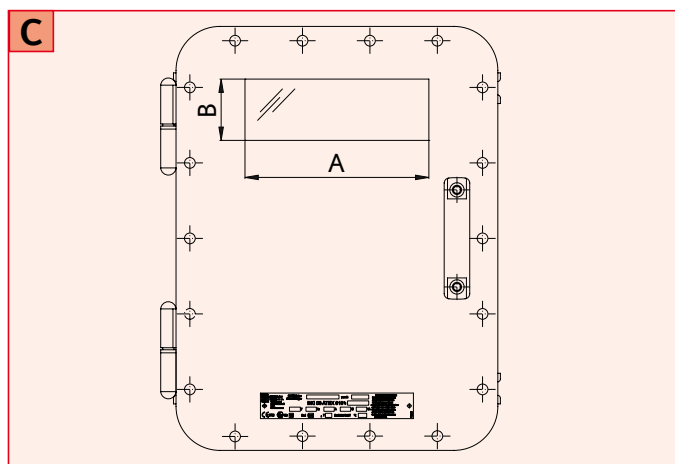
EJB Indicative quantity of terminals and relevant section

CODE	SECT. 2,5 [mm/sq]	SECT. 6,0 [mm/sq]	SECT. 10,0 [mm/sq]	SECT. 16,0 [mm/sq]	SECT. 35,0 [mm/sq]	SECT. 50,0 [mm/sq]	SECT. 70,0 [mm/sq]	SECT. 240,0 [mm/sq]	INT. PLATE X - Y [mm]
EJB-21 INX	30 x 1	20 x 1	14 x 1	12 x 1	8 x 1	6 x 1	2 x 1	1 x 1	180 - 140
EJB-22 INX	44 x 1	30 x 1	20 x 1	18 x 1	12 x 1	10 x 1	4 x 1	2 x 1	235 - 135
EJB-30 INX	52 x 2	32 x 2	24 x 2	20 x 2	14 x 2	12 x 1	8 x 1	4 x 1	325 - 225
EJB-31 INX	52 x 2	32 x 2	24 x 2	20 x 2	14 x 2	12 x 1	8 x 1	4 x 1	325 - 225
EJB-51 INX	80 x 2	46 x 2	36 x 2	30 x 2	22 x 2	18 x 2	16 x 1	6 x 1	460 - 260
EJB-61 INX	92 x 3	58 x 3	46 x 3	38 x 3	28 x 3	26 x 2	22 x 2	12 x 1	560 - 360
EJB-63 INX	92 x 3	58 x 3	46 x 3	38 x 3	28 x 3	26 x 2	22 x 2	12 x 1	560 - 360
EJB-71 INX	110 x 3	70 x 3	56 x 3	46 x 3	34 x 3	28 x 2	24 x 2	12 x 1	590 - 390
EJB-91 INX	140 x 3	90 x 3	70 x 3	60 x 3	44 x 3	36 x 3	32 x 2	14 x 2	758 - 448

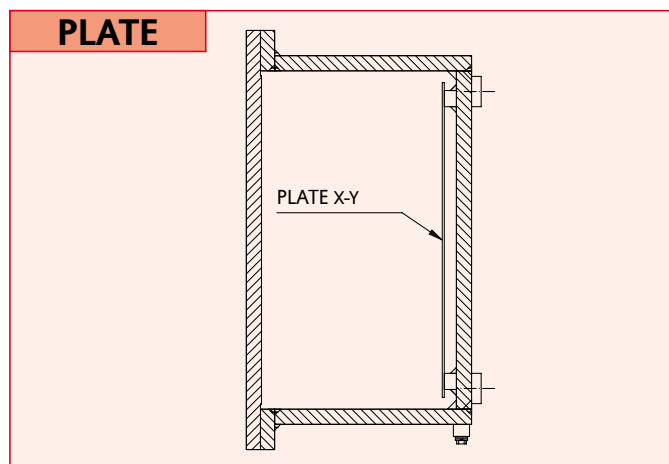
EJB INX Glass Windows on Cover

WINDOW CODE	ENCLOSURE CODE							DIMENSIONS		DETAIL
	EJB-21 INX	EJB-22 INX	EJB-30/31 INX	EJB-51 INX	EJB-61/63 INX	EJB-71 INX	EJB-91 INX	A [mm]	B [mm]	
F1	X	X	X	X	X	X	X	60	60	C
F2	X	-	X	X	X	X	X	75	75	C
F3	X	X	X	X	X	X	X	110	75	C
F4	X	-	X	X	X	-	-	150	75	C
F5	-	-	X	X	X	-	-	150	150	C
F6	-	-	X	X	X	-	-	300	75	C
F7	-	-	X	X	X	-	-	300	150	C
F8	-	-	-	-	X	-	-	300	300	C
F9	-	-	-	-	X	-	-	450	300	C

Reference details



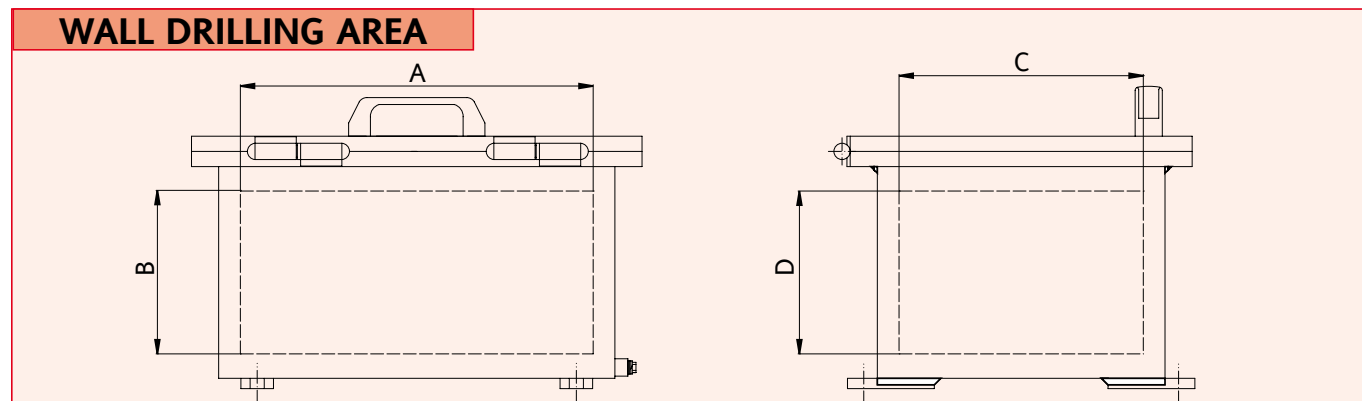
Reference details



EJB INX Body and Cover Enclosures Drilling Layout

ENCLOSURE CODE	DRILLING AREA A-B [mm]	QUANTITY ALLOWED ENTRIES FOR SIZE (from 1 to size 8)								DRILLING AREA C-D [mm]	QUANTITY ALLOWED ENTRIES FOR SIZE (from 1 to size 8)							
		1	2	3	4	5	6	7	8		1	2	3	4	5	6	7	8
EJB-21 INX	200x90	10	7	5	3	2	2	1	-	160x90	8	5	4	3	2	1	1	-
EJB-22 INX	215x130	15	11	8	6	6	3	2	1	110x130	9	5	5	4	2	1	1	1
EJB-30 INX	320x65	13	7	5	5	4	3	-	-	225x65	9	5	4	3	3	2	-	-
EJB-31 INX	320x150	28	18	14	11	8	6	3	2	225x150	20	12	9	8	6	5	2	1
EJB-51 INX	460x155	44	27	24	20	12	10	6	3	255x155	24	15	12	11	6	6	3	2
EJB-61 INX	550x250	72	50	36	32	21	21	14	8	350x250	48	30	24	20	12	12	8	6
EJB-63 INX	550x130	36	29	18	16	14	7	5	4	350x130	24	17	12	10	8	4	3	3
EJB-71 INX	600x270	78	55	50	36	32	21	18	10	400x270	48	35	35	24	20	15	12	6
EJB-91 INX	745x290	112	84	65	55	40	28	23	14	440x290	70	42	35	35	24	18	13	8

Reference details

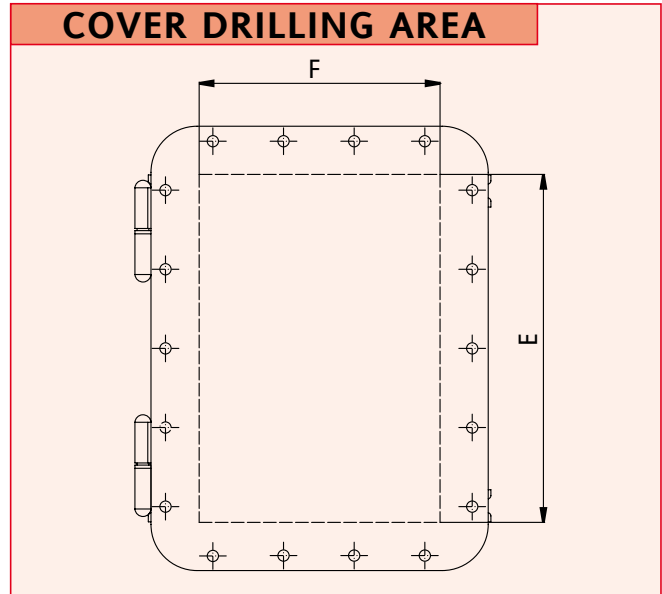


EJB INX Body and Cover Enclosures Drilling Layout

EJB INX

ENCLOSURE CODE	DRILLING AREA E-F [mm]	MAX OPERATORS PERMITTED
EJB-21 INX	200x155	12
EJB-22 INX	240x120	15
EJB-30 INX	305x205	30
EJB-31 INX	305x205	30
EJB-51 INX	465x265	54
EJB-61 INX	575x370	56
EJB-63 INX	575x370	56
EJB-71 INX	590x390	48
EJB-91 INX	800x500	54

Reference details



EJB INX Threads comparison table

SIZE	UNI 6125	ISO 228/1	ASA B2.1	ISO 965/I
1	GK 1/2"	G 1/2"	1/2" NPT	M20
2	GK 3/4"	G 3/4"	3/4" NPT	M25
3	GK 1"	G 1"	1" NPT	M32
4	GK 1-1/4"	G 1-1/4"	1-1/4" NPT	M40
5	GK 1-1/2"	G 1-1/2"	1-1/2" NPT	M50
6	GK 2"	G 2"	2" NPT	M63
7	GK 2-1/2"	G 2-1/2"	2-1/2" NPT	M75
8	GK 3"	G 3"	3" NPT	M85



REMARK:

Due to the development of the national and international specifications and of the technology, the above technical characteristics showed on this bulletin can be considered as binding on our confirmation only.